

5. Exploded Views and Parts List

Contents

5.1 Main	5-2	5.6 Frame Lower	5-12
5.2 Scanner Unit	5-4	5.7 Main Drive	5-16
5.3 OPE Unit	5-6	5.8 Fuser	5-18
5.4 Cover Lower	5-8	5.9 Cassette	5-20
5.5 Frame Upper	5-10		

DIGITAL LASER PRINT

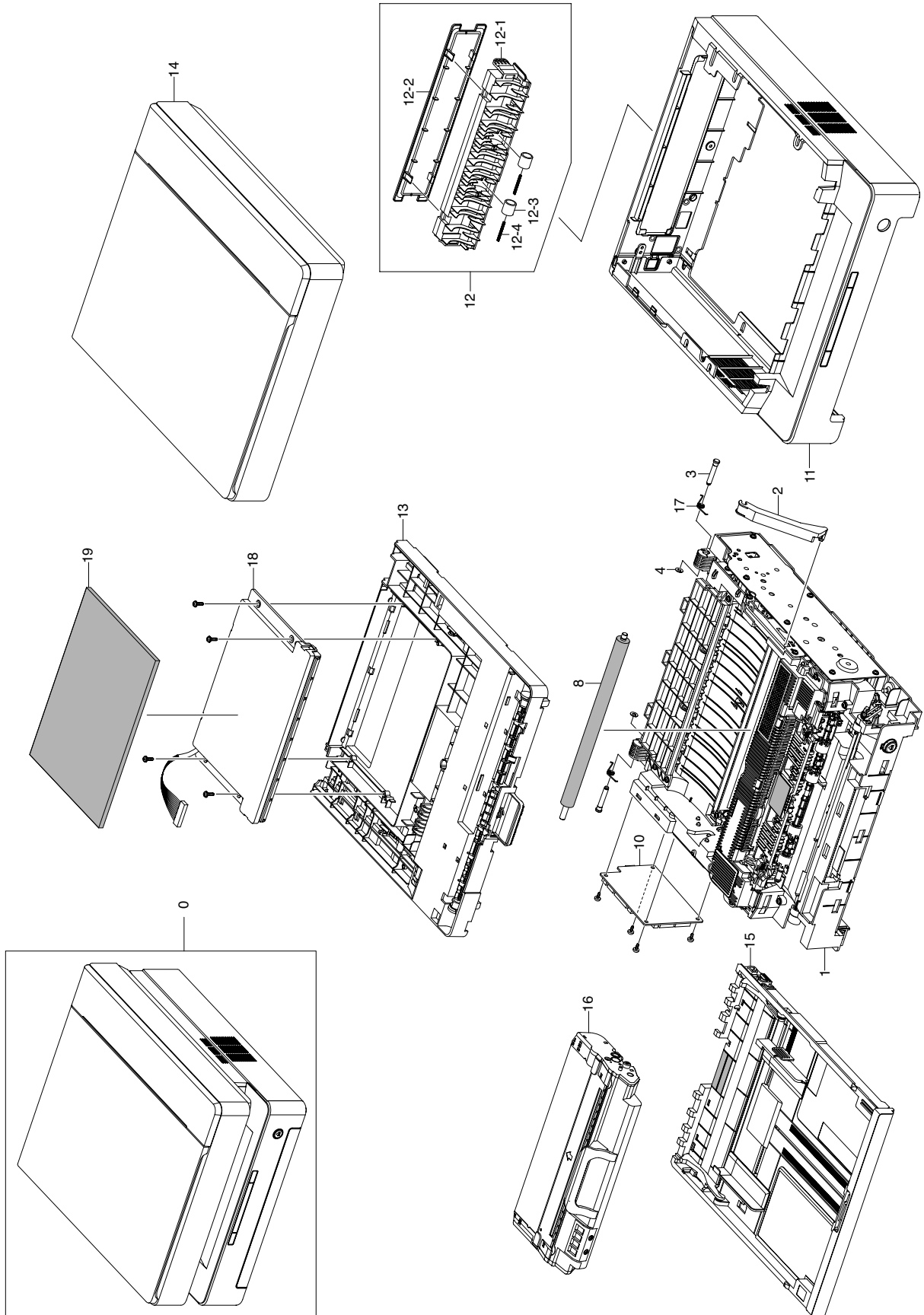


The keynote of Product

Slim Size 3 in 1 MFP (SCX-4500)

- Printing Speed : 16PPM(A4), 17PPM(Ltr)
- Printing Resolution : 600 x 600dpi
- Interface : USB 2.0
- OPE : Touch Sensor
- Scanner : FLAT-BED CIS(600dpi)
- Scan Resolution(OptiacI) : 600 x 2,400dpi
- Paper Input Capacity : 100 sheets
- Paper Output Capacity : 30 sheets
- Engine Life : 50,000 Pages
- Toner : Initial(1K) / Sales(2K)

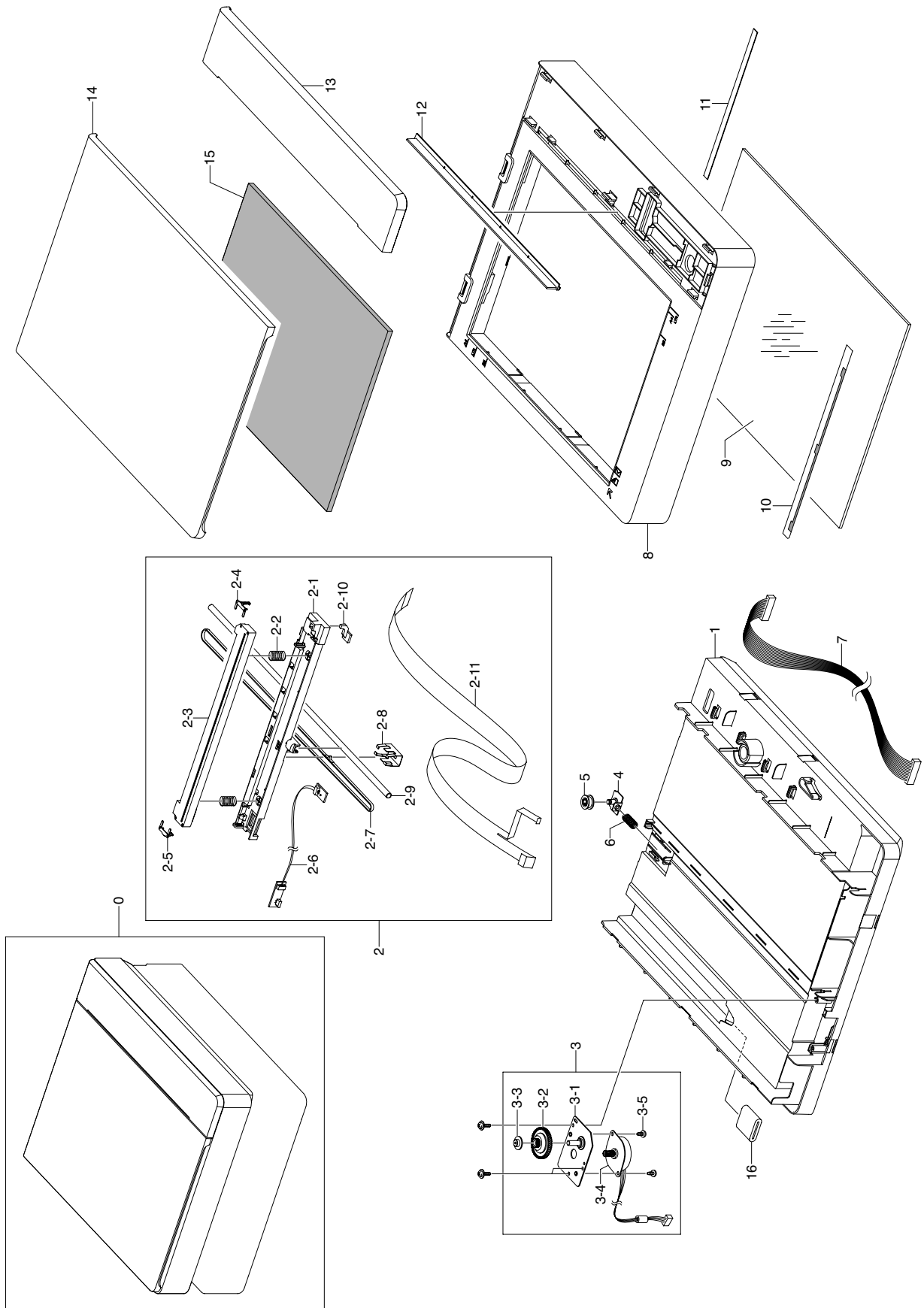
5.1 Main



Main Parts List

Drawer#	SEC_Code	Description	QT'y	Service	Remark
5.1-0	SCX-4500	SET			
5.1-1	JC96-04645A	ELA UNIT-FRAME LOWER	1	Y	
5.1-2	JC66-01564A	LINK-UPPER	1	Y	
5.1-3	JC61-02178A	STUD-HINGE	2	Y	
5.1-4	6031-001602	WASHER-PLAIN	2	Y	
5.1-8	JC66-01218A	ROLLER-TRANSFER	1	Y	
5.1-10	JC92-01891A	PBA-MAIN	1	Y	
5.1-11	JC97-02978A	MEA UNIT-COVER LOWER	1	Y	
5.1-12	JC97-02990A	MEA UNIT-FEED LOWER	1	Y	
5.1-12-1	JC61-01980A	GUIDE-FEED LOWER	1	Y	
5.1-12-2	JC63-01385A	COVER-DUMMY REAR	1	Y	
5.1-12-3	JC66-01510A	ROLLER-IDLE	2	Y	
5.1-12-4	6107-001277	SPRING-ETC	2	Y	
5.1-13	JC96-04644A	ELA UNIT-FRAME UPPER	1	Y	
5.1-14	JC96-04529A	ELA UNIT-SCANNER	1	Y	
5.1-15	JC97-02933A	MEA UNIT-CASSETTE	1	Y	
5.1-16	JC96-04523A	CARTRIDGE-TONER	1	Y	
5.1-17	6107-001351	SPRING-TS	1	Y	
5.1-18	JC96-04623A	ELA UNIT LSU	1	Y	
5.1-19	JC63-00209A	WHITE-SHEET-SPONGE	1	Y	

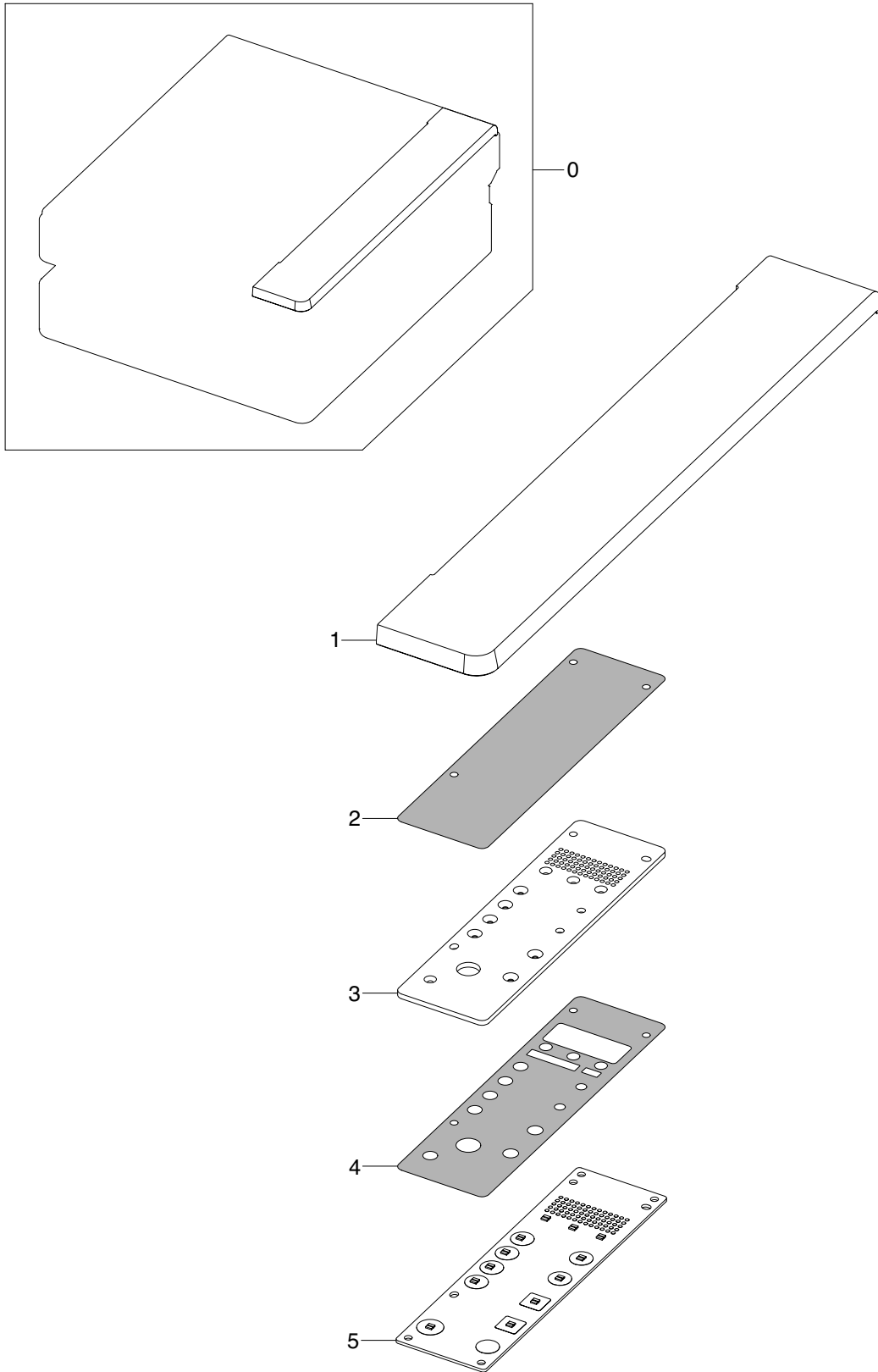
5.2 Scanner Unit



Scanner Unit Parts List

Drawer#	SEC_Code	Description	QT'y	Service	Remark
5.2-0	JC97-02930A	MEA UNIT-SCAN UPPER	1	Y	
5.2-1	JC63-01331A	COVER-SCAN UPPER	1	Y	
5.2-2	JC96-04531A	ELA UNIT-CIS	1	Y	
5.2-2-1	JC61-01969A	BRACKET-CIS	1	Y	
5.2-2-2	6107-001137	SPRING CS	2	Y	
5.2-2-3	0609-001287	CONTACT-IMAGE SENSOR	1	Y	
5.2-2-4	JC66-01580A	SLIDER-CIS	2	Y	
5.2-2-6	JC92-01904A	PBA LENS INDICATOR	1	Y	
5.2-2-7	6602-001261	TIMMING GEAR	1	Y	
5.2-2-8	JB61-00232A	CLIP-P-BELT	1	Y	
5.2-2-9	JC66-01448A	SHAFT-CIS	1	Y	
5.2-2-10	JC67-00231	LENS-LED INDICATOR	1	Y	
5.2-2-11	JC39-00729	HARNESS-CIS-FFC	1	Y	
5.2-3	JC96-04532A	ELA UNIT-SCAN DRIVE	1	Y	
5.2-3-1	JC61-01640A	BRACKET MOTOR-P-SCAN	1	Y	
5.2-3-2	JC66-01201A	GEAR-M-PULLY	1	Y	
5.2-3-3	JC67-00069A	CAD-M-PULLY	1	Y	
5.2-3-4	JC31-00080A	MOTOR STEP	1	Y	
5.2-3-5	6003-000269	SCREW-TAPTITE	2	Y	
5.2-4	JC61-00931A	BRACKET-P-PULLY	1	Y	
5.2-5	JC66-00713A	PULLEY-M-IDLE	1	Y	
5.2-6	6107-001194	SPRING CS	1	Y	
5.2-7	JC39-00680A	HANESS-OPE	1	Y	
5.2-8	JC97-02930A	MEA UNIT-SCAN UPPER	1	Y	
5.2-9	JB01-00002A	CLASS-PLATEN	1	Y	
5.2-10	JB68-00644A	LASER_SHADING	1	Y	
5.2-11	0203-001841	TAPE-DOUBLE FACE	1	Y	
5.2-12	JC64-00317A	WINDOW-INDICATOR	1	Y	
5.2-13	JC96-04533A	ELA-UNIT-SCAN OPE	1	Y	
5.2-14	JC63-013333A	COVER SCAN PLATEN	1	Y	
5.2-15	JC63-00209A	SHEETUNIT SPONGE	1	Y	
5.2-16	3301-001742	CORE-FERRITE	1	Y	

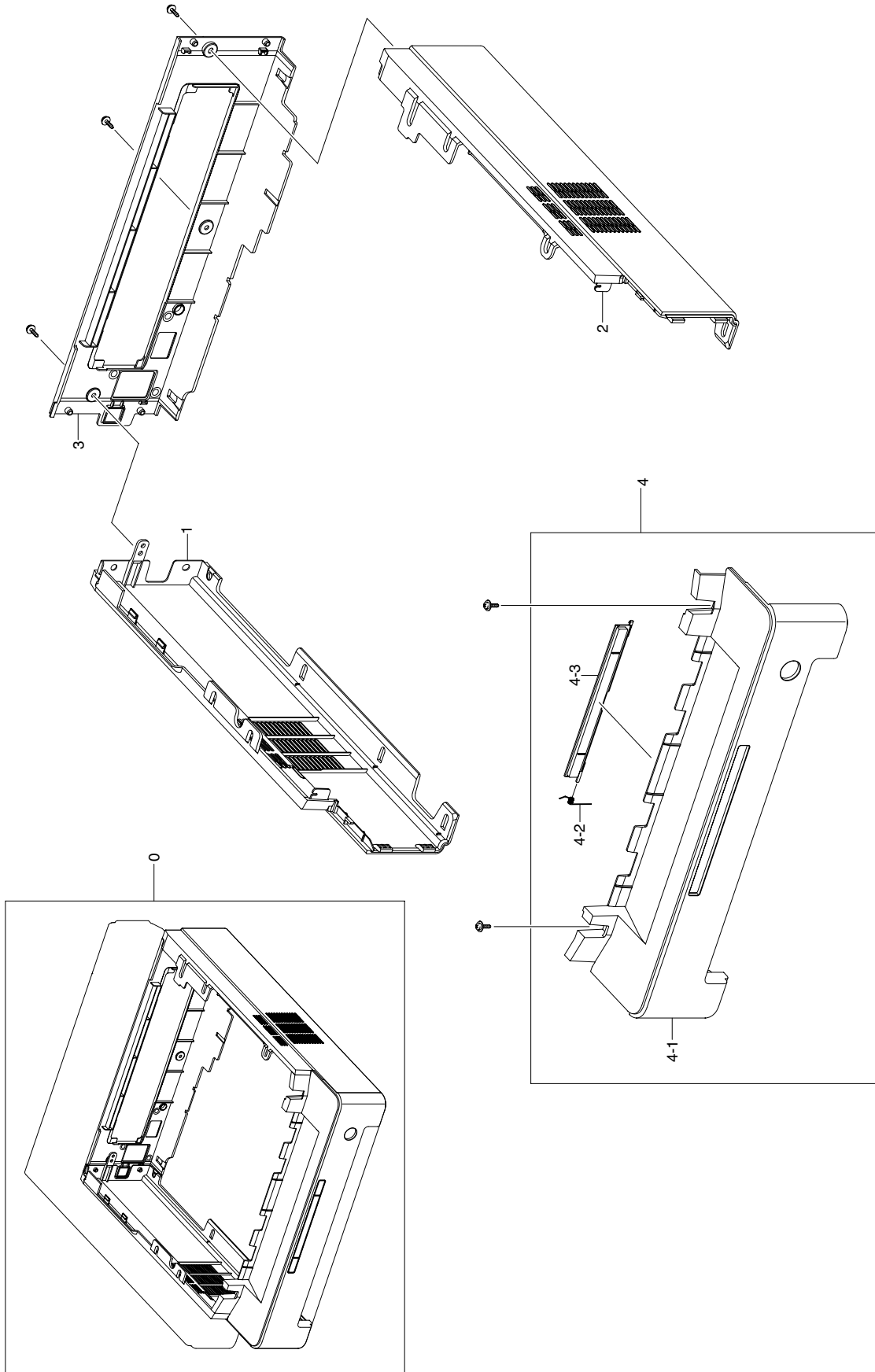
5.3 OPE Unit



OPE Unit Parts List

Drawer#	SEC_Code	Description	QT'y	Service	Remark
5.3-0	JC96-04533A	ELA UNIT-SCAN OPE			
5.3-1	JC63-01333A	COVER-SCAN OPE	1	Y	
5.3-2	JC63-01468A	SHEET-SCAN DIFUSSION	1	Y	
5.3-3	JC61-02008A	HOLDER LED MAIN	1	Y	
5.3-4	0203-002250	TAPE-DOUBLE FACE	1	Y	
5.3-5	JC92-01892A	PBA-OPE	1	Y	

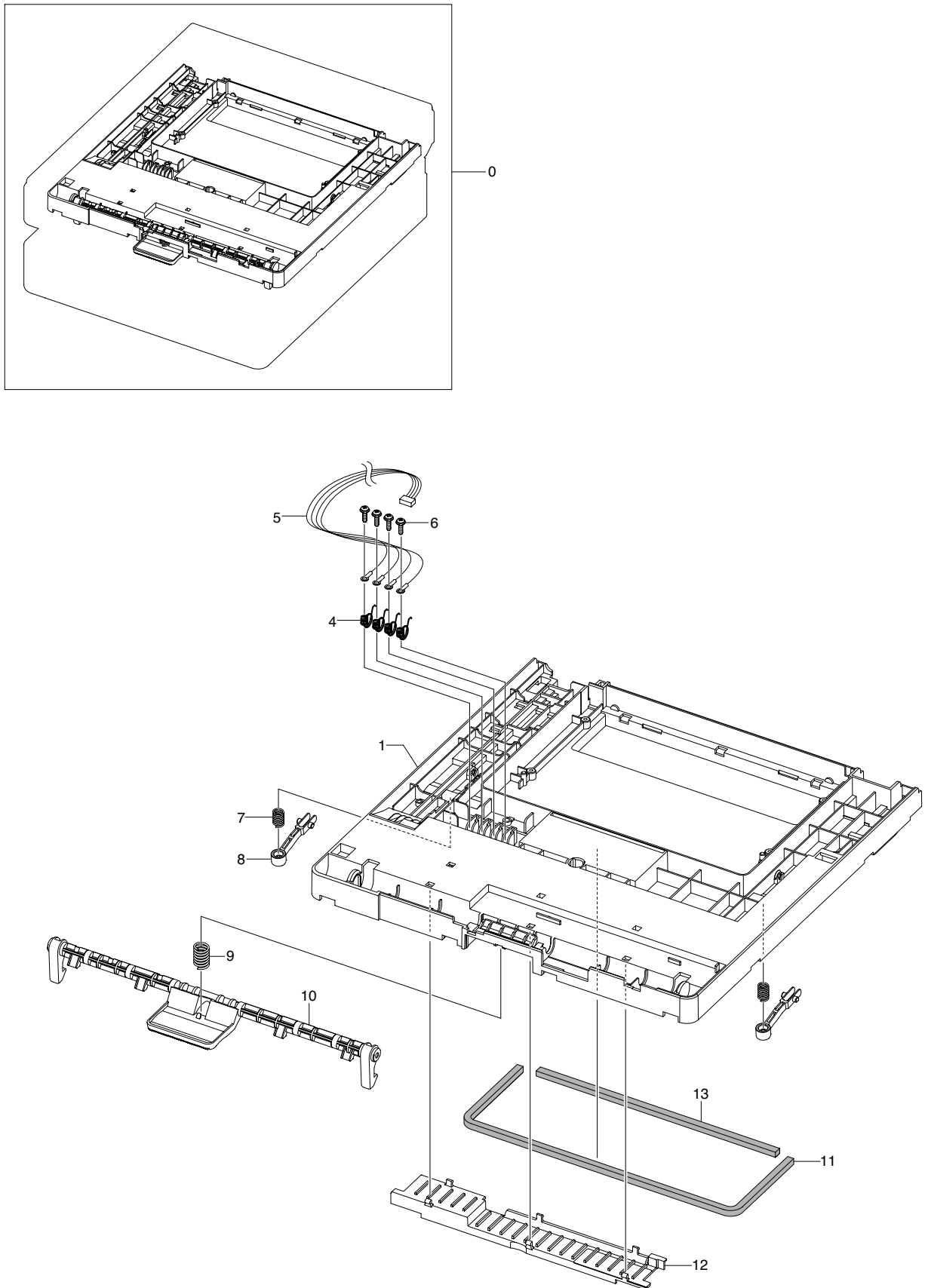
5.4 Cover Lower



Cover Lower Parts List

Drawer#	SEC_Code	Description	QT'y	Service	Remark
5.4-0	JC97-02978A	MEA UNIT-COVER LOWER	1	Y	
5.4-1	JC63-01383A	COVER LEFT	1	Y	
5.4-2	JC63-01384A	COVER RIGHT	1	Y	
5.4-3	JC63-01436A	COVER REAR	1	Y	
5.4-4	JC97-03055A	MEA UNIT-COVER FRONT	1	Y	
5.4-4-1	JC63-01382A	COVER-FRONT	1	Y	
5.4-4-2	JC61-00060A	SPRING ETC-TS BLADE	1	Y	
5.4-4-3	JC63-01434A	COVER DOOR STAKER	1	Y	

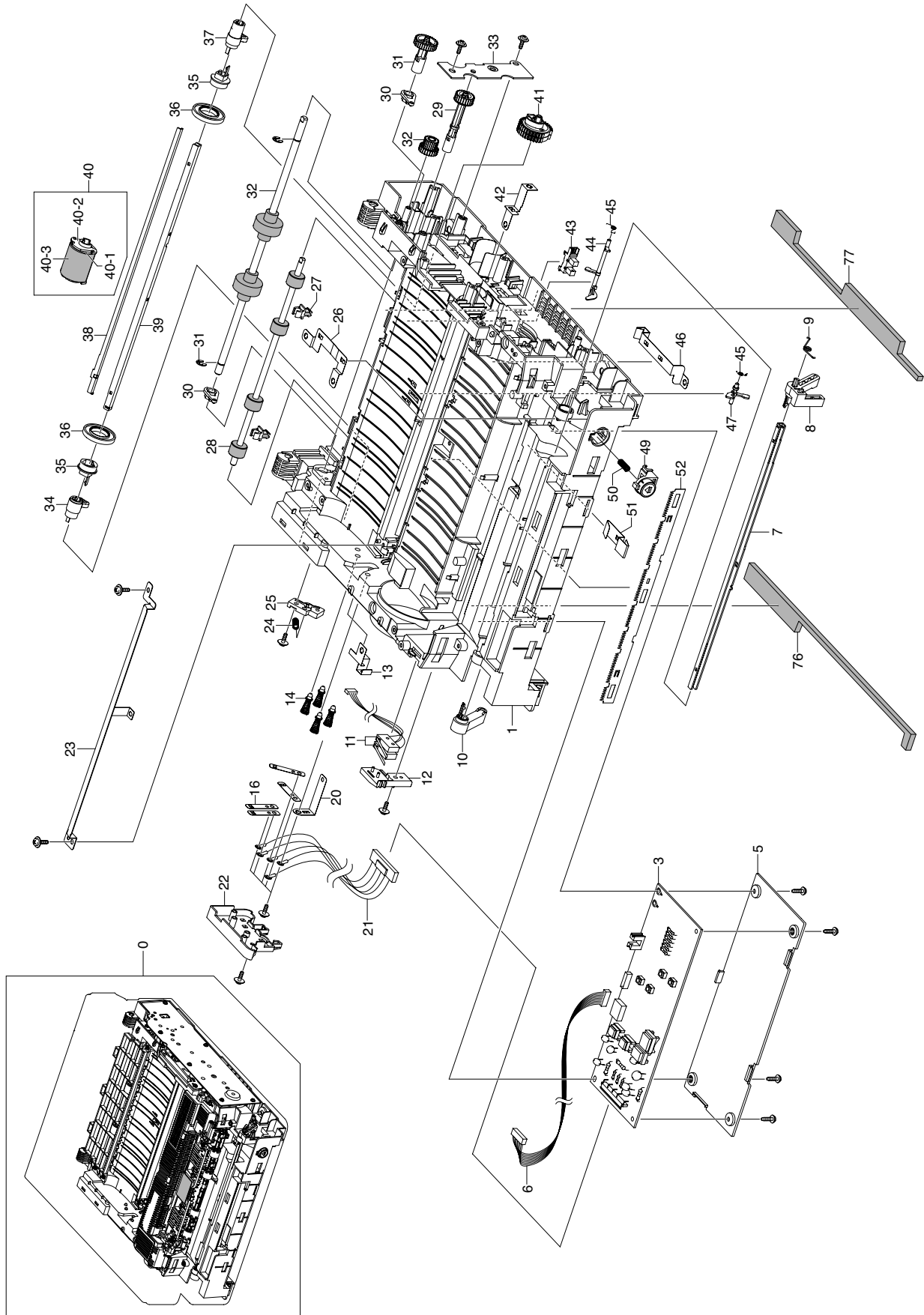
5.5 Frame Upper



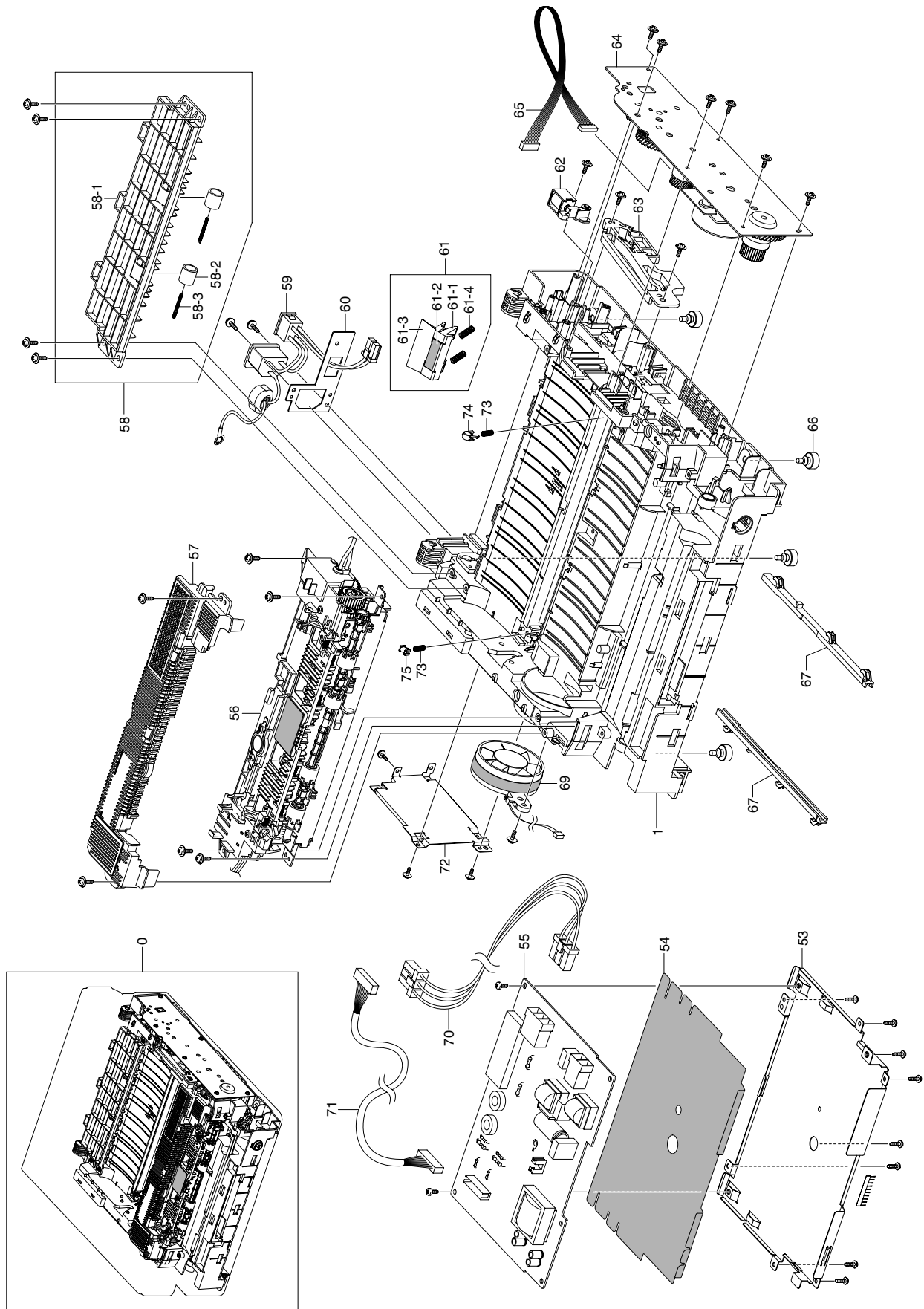
Frame Upper Parts List

Drawer#	SEC_Code	Description	QT'y	Service	Remark
5.5-0	JC96-04644A	ELA UNIT-FRAME UPPER	1	Y	
5.5-1	JC61-02107A	FRAME BASE UPPER	1	Y	
5.5-4	JC65-00019A	TERMINAL CRUM	4	Y	
5.5-5	JC39-00761A	HARNESS-CRUM	1	Y	
5.5-6	6003-000282	SCREW-TAPTITE	4	Y	
5.5-7	JC61-70958A	SPRING ETC-GUIDE TR	2	Y	
5.5-8	JC61-02108A	PLATE GUIDE DEVE	1	Y	
5.5-9	JC61-70932A	SPRING ETC-GUIDE DEVE	1	Y	
5.5-10	JC66-01545A	LEVEL HANDLE UPPER	1	Y	
5.5-11	JC62-00417A	SEAL-LSU	1	Y	
5.5-12	JC63-01444A	COVER DUMMY EXTRA	1	Y	
5.5-13	JC62-00464A	SEAL-LSU REAR	1	Y	

5.6 Frame Lower 1



Frame Lower 2



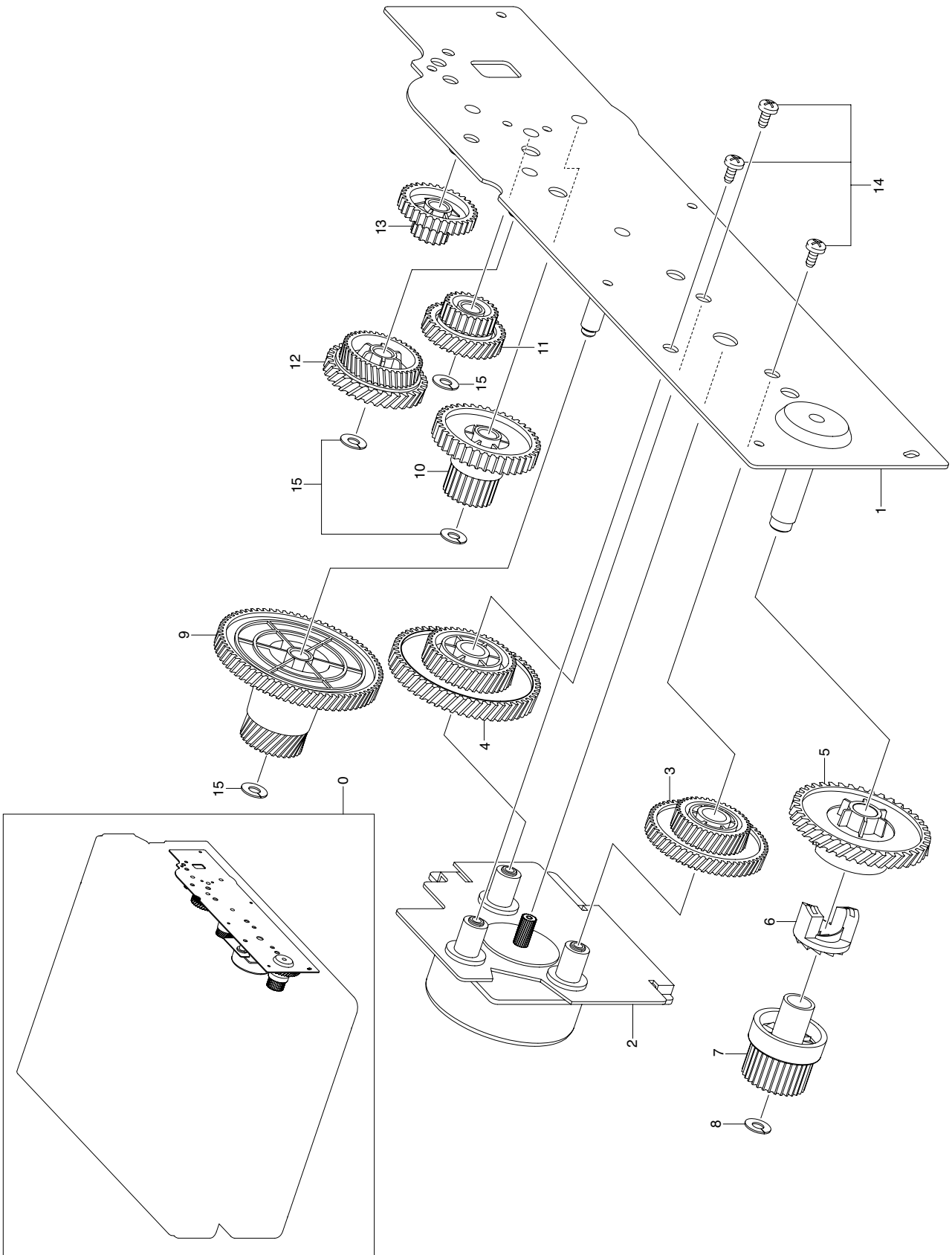
Frame Lower Parts List

Drawer#	SEC_Code	Description	QT'y	Service	Remark
5.6-0	JC96-04645A	ELA UNIT-FRAME LOWER	1	Y	
5.6-1	JC61-02113A	FRAME-BASE LOWER	1	Y	
5.6-3	JC44-00146A	HVPS	1	Y	
5.6-5	JC63-01372A	COVER-HVPS	1	Y	
5.6-6	JC39-00676A	HARNES-HVPS	1	Y	
5.6-7	JC66-00829A	SHAFT-P-PICK_UP	1	Y	
5.6-8	JC66-01544A	LEVER-CASSETTE ROCK	1	Y	
5.6-9	6107-001170	SPRING-TS	1	Y	
5.6-10	JC66-01573A	LEVER-CASSETTE GUIDE	1	Y	
5.6-11	JC39-00677A	HARNES-COVER	1	Y	
5.6-12	JC61-02009A	HOLDER-SWITCH	1	Y	
5.6-13	JC63-01437A	GROUND-MAIN	1	Y	
5.6-14	JC75-00049A	MEC-TERMINAL	4	Y	
5.6-16	JC65-00024A	TERMINAL-HV	4	Y	
5.6-20	JC63-01415A	GROUND-P THV	1	Y	
5.6-21	JC39-00676A	HARNES-HVPS	1	Y	
5.6-22	JC61-02109A	HOUSING-TERMINAL	1	Y	
5.6-23	JC61-02130A	GUIDE-EARTH TRNASFER	1	Y	
5.6-24	JC61-70932A	SPRING ETC-GUIDE DEVE	1	Y	
5.6-25	JC61-01548A	HOLDER-M-CAM	1	Y	
5.6-26	JC63-01416A	GROUND-HVPS	1	Y	
5.6-27	JC72-00382B	PMO-BUSHING FEED	2	Y	
5.6-28	JC66-00526A	ROLLER-FEED ROLLER 1	1	Y	
5.6-29	JC66-01439A	GEAR-REGI	1	Y	
5.6-30	JC72-41191B	PMO-BEARING SHAFT	1	Y	
5.6-31	JC66-01435A	GEAR-FEED	1	Y	
5.6-32	JC66-01436A	GEAR-DRV FEED	1	Y	
5.6-33	JC61-01967A	BRACKET_FEED	1	Y	
5.6-34	JC66-01469A	CAM-PICKUP L	1	Y	
5.6-35	JC61-01713A	STOPPER-PICK_UP R	2	Y	
5.6-36	JC66-01509A	ROLLER-PICKUP IDLE	2	Y	
5.6-37	JC66-01468A	CAM-PICKUP R	1	Y	
5.6-38	JC61-01281A	BRACKET-P-BAR_PICK_UP	1	Y	
5.6-39	JC66-00829A	SHAFT-P-PICK_UP	1	Y	
5.6-40	JC97-02982A	MEA UNIT-ROLLER PICKUP	1	Y	
5.6-40-1	JC61-00909A	HOUSING-M-PICK UP_R2	1	Y	
5.6-40-2	JC61-02079A	HOUSING-PICKUP B	1	Y	
5.6-40-3	JC72-01231A	SPONGE-ROLLER PICK_UP	1	Y	
5.6-41	JC97-02957A	MEA UNIT-GEAR PICKUP	1	Y	
5.6-42	JC63-01414A	GROUND DRIVE	1	Y	
5.6-43	0604-001095	PHOTO INTERRUPTER	1	Y	
5.6-44	JC66-01541A	ATUATOR EMPTY	1	Y	
5.6-45	6107-001164	SPRING TS	2	Y	

Frame Lower Parts List

Drawer#	SEC_Code	Description	QT'y	Service	Remark
5.6-46	JC63-01413A	GROUND-SAW	1	Y	
5.6-47	JC66-01542A	ACTUATOR-FEED	1	Y	
5.6-49	JC64-00332A	BUTTON-CASSETTE	1	Y	
5.6-50	JC61-70940A	SPRING ETC-TR(12)	1	Y	
5.6-51	JC63-01417A	GROUND-FUSER	1	Y	
5.6-52	JC70-10232A	IPR-PLATE SAW	1	Y	
5.6-53	JC63-01420A	SHIELD-SMPS	1	Y	
5.6-54	JC63-01411A	SHEET-SMPS	1	Y	
5.6-55	JC44-00147A	SMPS-V1	1	Y	
5.6-56	JC96-04540A	ELA HOU-FUSER	1	Y	
5.6-57	JC63-01430A	COVER-DUMMY REAR	1	Y	
5.6-58	JC97-02939A	MEA UNIT-FEED UPPER	1	Y	
5.6-58-1	JC61-01979A	GUIDE-FEED UPPER	1	Y	
5.6-58-2	JC66-01510A	ROLLER-IDLE	2	Y	
5.6-58-3	6107-001277	SPRING-ETC	2	Y	
5.6-59	JC39-00685A	HARNESS-INLET	1	Y	
5.6-60	JC61-02114A	BRACKET-REAR	1	Y	
5.6-61	JC97-02937A	MEA UNIT-HOLDER PICKUP	1	Y	
5.6-61-1	JC69-00987A	PAD-FRICTION	1	Y	
5.6-61-2	JC61-02076A	HOLDER-PAD	1	Y	
5.6-61-3	JC63-00290A	SHEET-HOLDER PAD	1	Y	
5.6-61-4	JC61-70911A	SPRING ETC-EXIT ROLL FD	2	Y	
5.6-62	JC96-04622A	ELA UNIT-SOLENOID	1	Y	
5.6-63	JC66-01575A	LINK-RAIL UPPER	1	Y	
5.6-64	JC96-04715A	ELA UNIT DRIVE	1	Y	
5.6-65	JC39-00679A	HARNESS-MOTOR	1	Y	
5.6-66	JC61-40001A	FOOT-ML 80	4	Y	
5.6-67	JC61-02110A	GUIDE-CASSETTE RAIL	2	Y	
5.6-69	JC31-00089A	FAN-DC_HAWK	1	Y	
5.6-70	JC39-00737A	HARNESS-FUSER	1	Y	
5.6-71	JC39-00697A	HARNESS-MAIN	1	Y	
5.6-72	JC63-01421A	SHIELD-MAIN	1	Y	
5.6-73	JC61-70940A	SPRING ETC-TR(12)	2	Y	
5.6-74	JC61-00588A	BUSH-M-TRL	1	Y	
5.6-75	JC72-00102A	PMO-BUSHING_TR(L)	1	Y	
5.6-76	JC72-01418A	SPONGE-LEFT	1	Y	
5.6-77	JC72-01419A	SPONGE-RIGHT	1	Y	

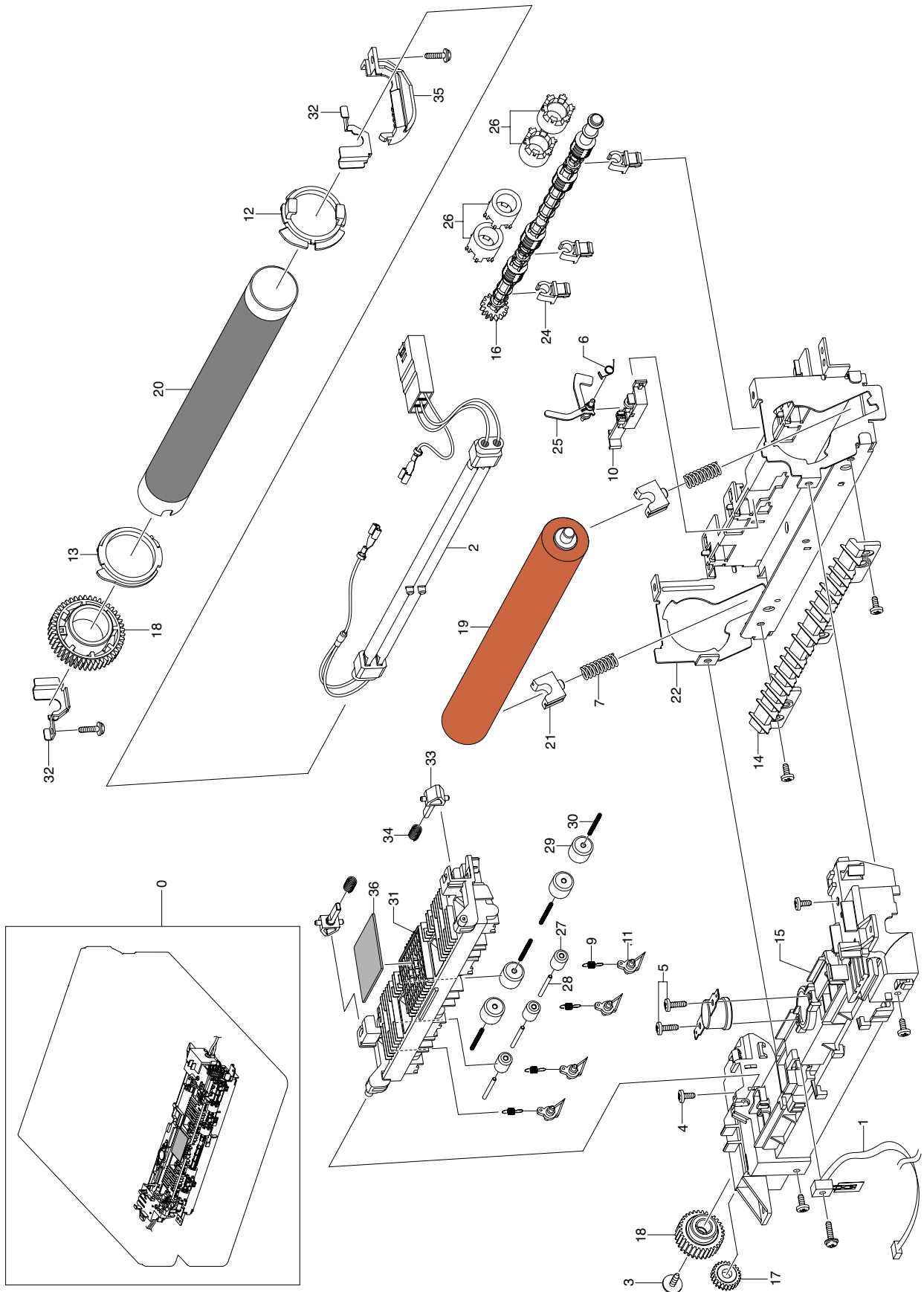
5.7 Main Drive



Main Drive Parts List

Drawer#	SEC_Code	Description	QT'y	Service	Remark
5.7-0	JC96-04715A	ELA UNIT DRIVE			
5.7-1	JC61-01968A	BRACKET GEAR	1	Y	
5.7-2	JC31-00079A	BLDC-MOTOR	1	Y	
5.7-3	JC66-01445A	GEAR RDCN FUSER	1	Y	
5.7-4	JC66-01444A	GEAR RDCN OPC	1	Y	
5.7-5	JC66-01441A	GEAR DRV FUSER OUT	1	Y	
5.7-6	JC66-00340A	GEAR HUB CLUTCH	1	Y	
5.7-7	JC66-01800A	GEAR_DRV FUSER IN	1	Y	
5.7-8	6031-000023	WASHER-PLAIN	1	Y	
5.7-9	JC66-01440A	GEAR DRV OPC	1	Y	
5.7-10	JC66-01443A	GEAR DRIVE PICK UP	1	Y	
5.7-11	JC66-01447A	GEAR RDCN FEED B	1	Y	
5.7-12	JC66-01446A	GEAR RDCN FEED A	1	Y	
5.7-13	JC66-01442A	GEAR DRV REGI	1	Y	
5.7-14	6001-000130	SCREW MACHINE	3	Y	
5.7-15	6031-001602	WHASHER-PLAIN	4	Y	

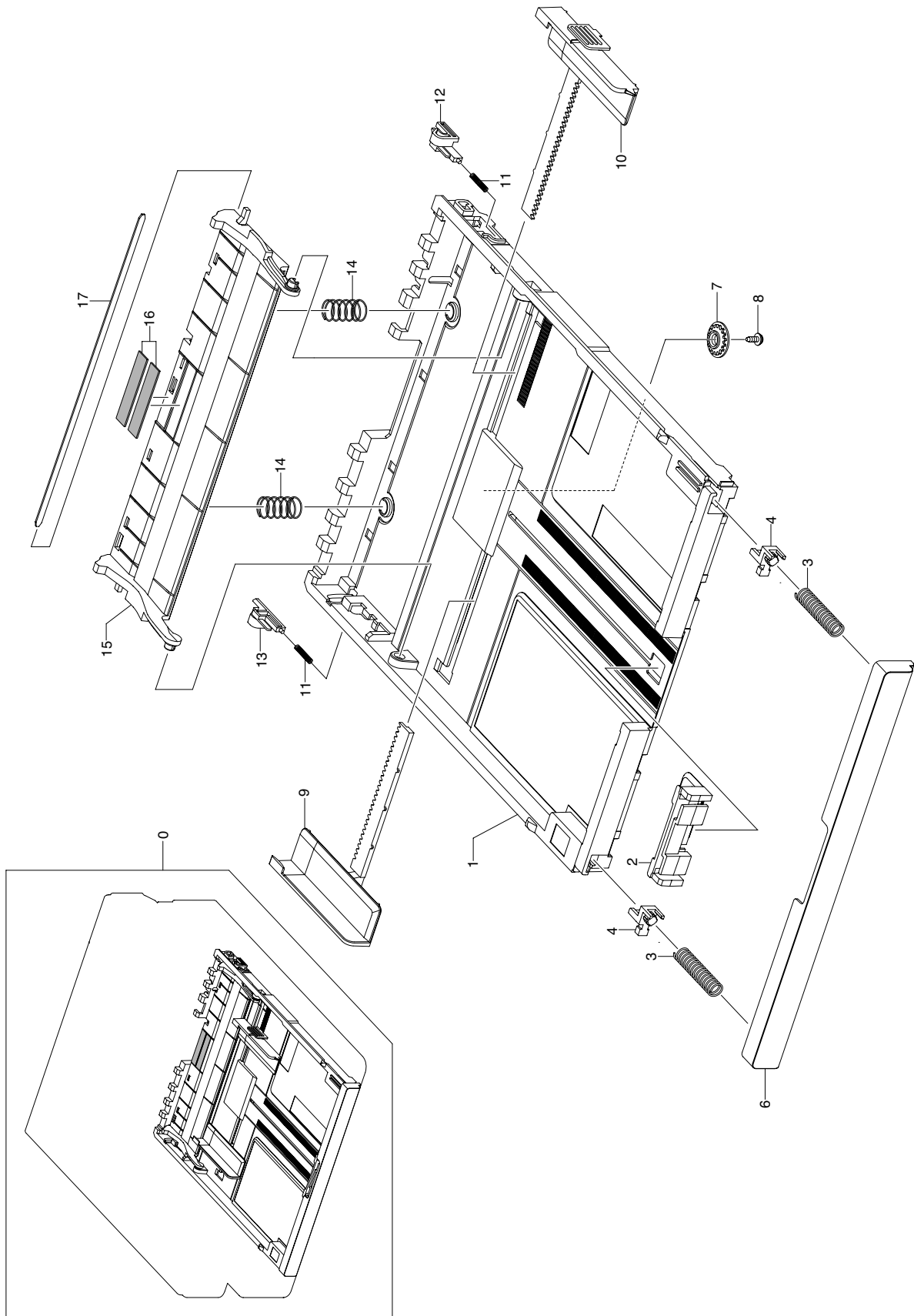
5.8 Fuser



Fuser Parts List

Drawer#	SEC_Code	Description	QT'y	Service	Remark
5.8-0	JC96-04540A	ELA HOU-FUSER	1	Y	
5.8-1	1404-001427	THERMISTOR-NTC ASSY	1	Y	
5.8-2	4713-001226	LAMP-HALOGEN	1	Y	
5.8-3	6006-001078	SCREW-TAPTITE	1	Y	
5.8-4	6003-000269	SCREW-TAPTITE	1	Y	
5.8-5	6003-000282	SCREW-TAPTITE	2	Y	
5.8-6	6107-001165	SPRING-TS	1	Y	
5.8-7	JC61-00056A	SPRING ETC-PR(7300)	2	Y	
5.8-8	JC66-01254A	GEAR-FUSER	1	Y	
5.8-9	JC61-00064A	SPRING ETC-CLAW	1	Y	
5.8-10	JC61-02010A	HOLDER-ACTUATOR	1	Y	
5.8-11	JC61-02184A	GUIDE-CLAW PI	4	Y	
5.8-12	JC61-00887A	BUSH-M-HR R_R2	1	Y	
5.8-13	JC61-00888A	BUSH-M-HR L_R2	1	Y	
5.8-14	JC61-02450A	GUIDE-INPUT	1	Y	
5.8-15	JC63-01431A	COVER-FUSER	1	Y	
5.8-16	JC66-00380A	ROLLER-M-EXIT F/UP	1	Y	
5.8-17	JC72-00143A	PMO-GEAR_EXIT_DRV16	1	Y	
5.8-18	JC66-01254A	GEAR-FUSER	1	Y	
5.8-19	JC66-00600A	ROLLER-PRESSURE	1	Y	
5.8-20	JC66-01531A	ROLLER-HEAT	1	Y	
5.8-21	JC66-10901A	BUSH	2	Y	
5.8-22	JC61-02137A	FRAME-FUSER	1	Y	
5.8-23	4712-001027	THERMOSTAT	1	Y	
5.8-24	JC72-00382A	PMO-BUSHING TX	3	Y	
5.8-25	JC66-01533A	ACTUATOR-EXIT	1	Y	
5.8-26	JC73-00255A	RUBBER-EXIT F/UP	4	Y	
5.8-27	JC66-01312B	ROLLER-IDLE	1	Y	
5.8-28	JC70-00064A	IPR-PIN ROLLER EXIT	1	Y	
5.8-29	JC72-20902B	PEX-ROLLER F/UP(2)	1	Y	
5.8-30	6107-001347	SPRING-ETC	4	Y	
5.8-31	JC61-02129A	GUIDE-EXIT	1	Y	
5.8-32	JC61-02012A	HOLDER-LAMP	1	Y	
5.8-33	JC67-00111A	CAP-M_ACTUATOR_UP	2	Y	
5.8-34	6107-001346	SPRING-CS	2	Y	
5.8-35	JC63-01446A	COVER-LAMP	1	Y	
5.8-36	JC63-01739A	FELT-FUSER	1	Y	

5.9 Cassette



Cassette Parts List

Drawer#	SEC_Code	Description	QT'y	Service	Remark
5.9-0	JC97-02933A	MEA UNIT-CASSETTE	1	Y	
5.9-1	JC61-02081A	FRAME-CST	1	Y	
5.9-2	JC61-02126A	GUIDE-REAR	1	Y	
5.9-3	6107-001350	SPRING-CS	2	Y	
5.9-4	JC61-02111A	GUIDE-CASSETTE LOCK	2	Y	
5.9-6	JC63-01432A	COVER-CASSETTE	1	Y	
5.9-7	JG66-40003A	GEAR-PINION	1	Y	
5.9-8	6003-000264	SCREW-TAPTITE	1	Y	
5.9-9	JC61-02124A	GUIDE-SIDE L	1	Y	
5.9-10	JC61-02125A	GUIDE-SIDE R	1	Y	
5.9-11	JG61-70531A	SPRING ETC-LOCKER,PLATE	2	Y	
5.9-12	JC61-02128A	GUIDE-KNOCKUP R	1	Y	
5.9-13	JC61-02127A	GUIDE-KNOCKUP L	1	Y	
5.9-14	6107-001349	SPRING-CS	2	Y	
5.9-15	JC61-02080A	PLATE-KNOCKUP	1	Y	
5.9-16	JC73-00141A	RPR-PAD CASSETTE	2	Y	
5.9-17	JC66-00720A	SHAFT-P-CORE	1	Y	